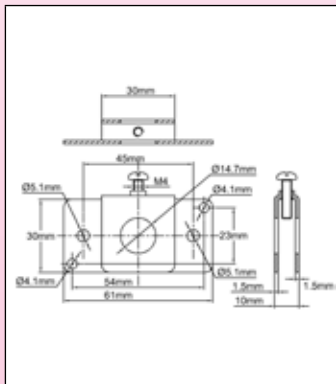
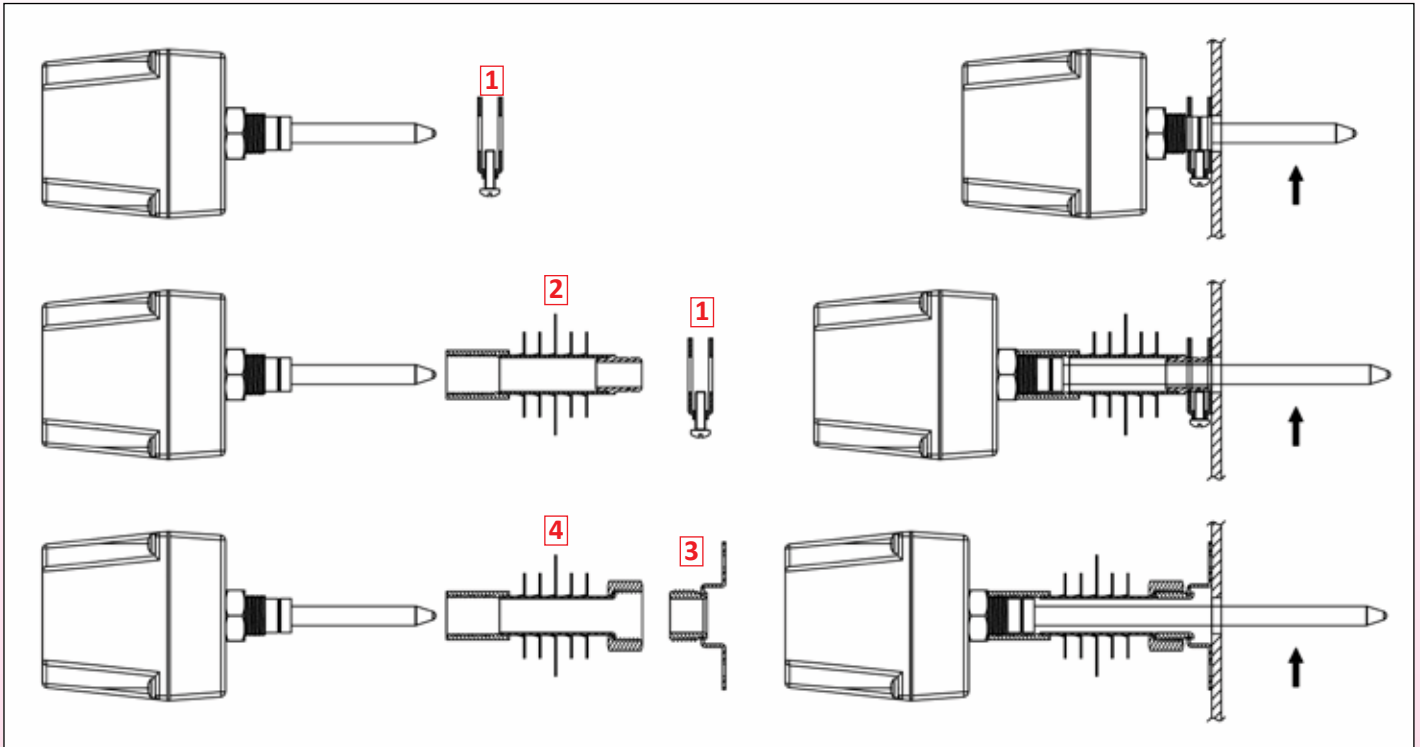


Pockets, flanges, brackets and other accessories

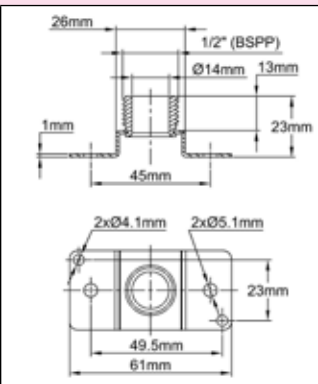
Air duct temperature sensing with rod thermostats



1

Stainless steel flange for dia. 14.5 mm rod output

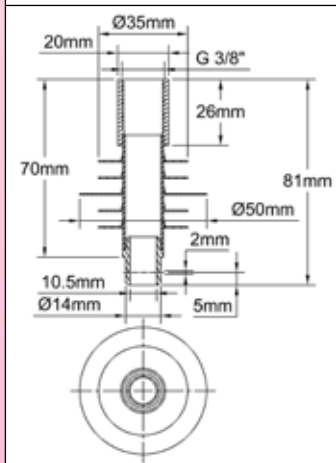
Reference 66BF1



3

G1/2 Rod cooler bracket (for air ducts mounting)
Not usable on Y0 types

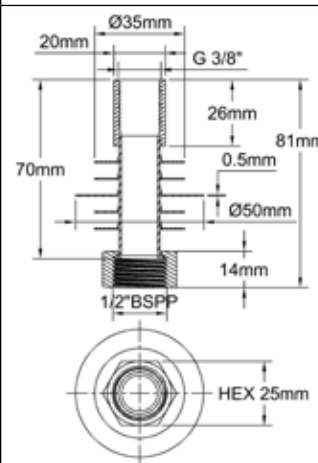
Reference 66RF0231M12



2

Rod cooler with 14.5mm termination..
Used on high temperature rod thermostats.
Fits the 3/8 thread located under the housing and the dia. 14.5 hole of pockets or flanges
Not usable on Y0 types

Reference 66RF07015



4

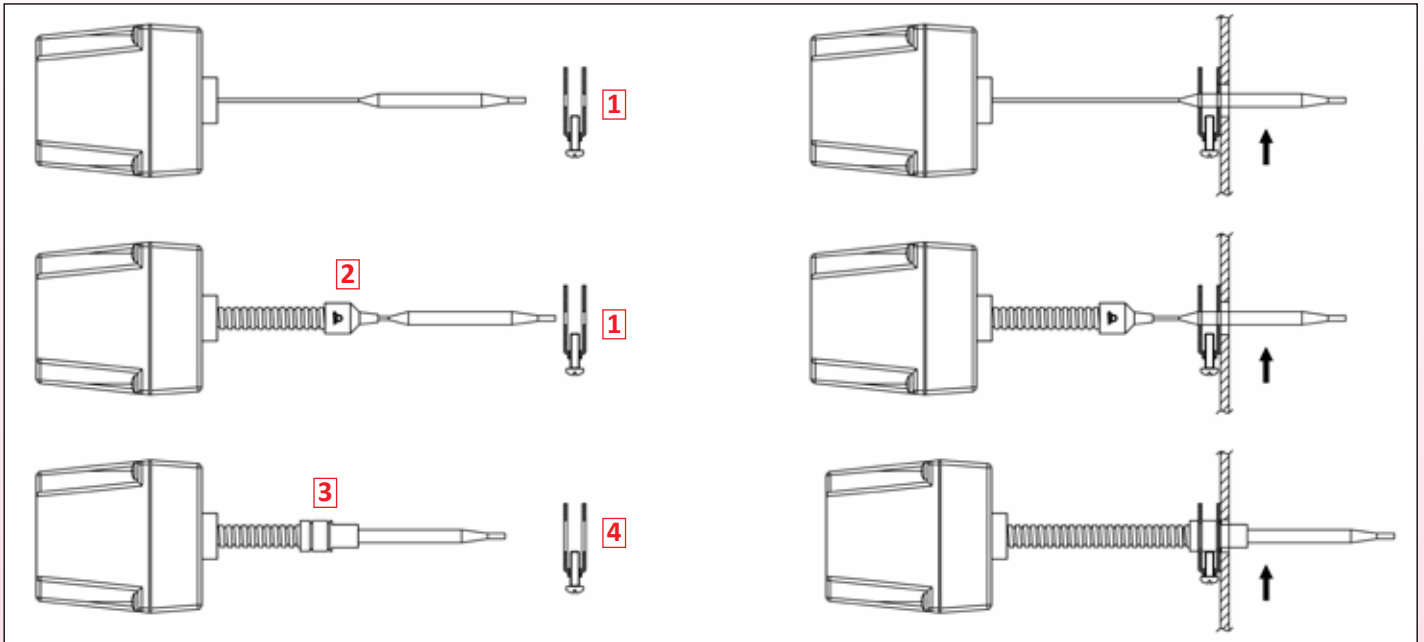
Rod cooler G1/2
Used on high temperature rod thermostats. Fits the 3/8 thread located under the housing and the 1/2 male thread of rod cooler bracket
Not usable on Y0 types






Reference 66RF0701F12

En raison de l'évolution technique constante de nos produits, les plans, dessins, photos et caractéristiques repris dans les pages techniques sont communiqués sans engagement et peuvent être modifiés sans préavis



Air duct temperature sensing with bulb and capillary thermostats



	<p>1</p>  <p>Stainless steel flange for dia 8 mm bulbs</p> <p>Reference 66BF4</p>		<p>3</p>  <p>Dia. 10 mm flexible corrugated tube output, through wall air duct mounting (plastic)</p> <p>Reference 9BBSI10RA100005A</p>
	<p>1</p>  <p>Stainless steel flange for dia 6 mm bulbs</p> <p>Reference 66BF3</p>		<p>4</p>  <p>Stainless steel flange for dia 14.5 mm capillary protection output</p> <p>Reference 66BF1</p>
	<p>2</p>  <p>Dia. 10 mm flexible corrugated tube silicone output, 1 capillary</p> <p>Reference 9BBJO100000154A</p>		